



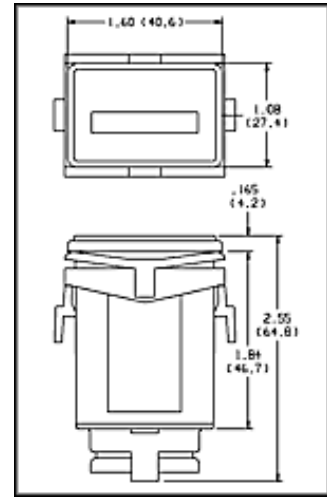
## AC Hour Meters

### 20000 Series Deluxe AC Hour Meters



#### Rectangular Retainer Mount

Operating Voltage	Hertz	Termination	Part #
108-132 VAC	50	Screw*	20174
108-132 VAC	50	Blade**	20183
108-132 VAC	60	Screw*	20116
108-132 VAC	60	Blade**	20182
216-264 VAC	50	Screw*	20171
216-264 VAC	50	Blade**	20170
216-264 VAC	60	Screw*	20177

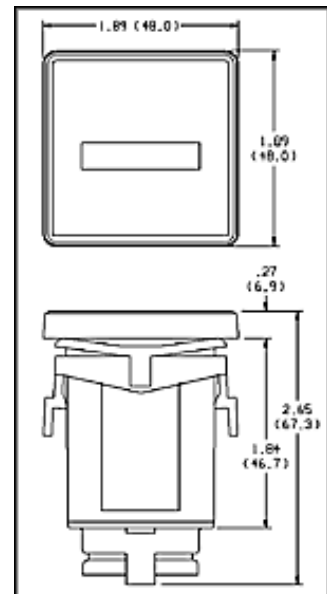


Rectangular Retainer:  
Panel cutout 1.45 x .95  
rectangular opening\*



#### Square Retainer Mount

Operating Voltage	Hertz	Termination	Part #
108-132 VAC	50	Screw*	20176
108-132 VAC	60	Screw*	20115
216-264 VAC	50	Screw*	20173
216-264 VAC	60	Screw*	20179



Square Retainer: Panel  
cutout 1.45 x .95  
rectangular opening\*

- \* UL Listed, CSA Certified and CE Mark
- \*\* UL Recognized, CSA Certified and CE Mark

\* Panel cutout dimensions are  $\pm .010$  tolerance  
All dimensions shown in inches and (metric)